

C4 HiCoat – the new generation of guns

More efficiency with many new highlights



EFFICIENT

FLEXIBLE

SAFE

WAGNER

www.wagner-systems.com

The new C4 generation of guns – the most important new items at a glance

Reliable application of metallic and UDS powder paints

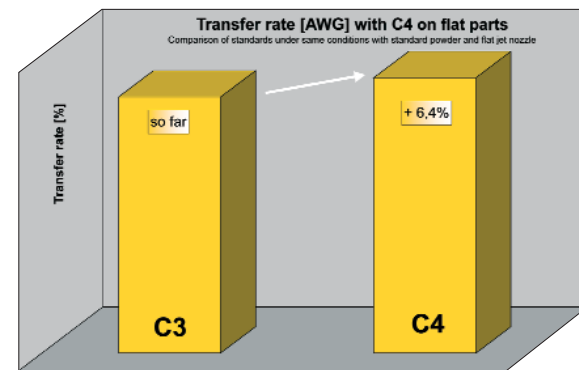
The new generation of guns from Wagner for even more efficiency and perfection. The integral high voltage cascade with a power rating of up to 100 kV works perfectly and safely. All electronic components are integrated in the robust plastic body of the gun. This means low servicing costs and a much longer service life.



Perfection with metallic coatings

- homogeneous powder cloud
- optimised electrostatics
- uniform distribution with a thin film

High transfer rate



Distinct increase in the transfer rate!

- better charging of the powder
- soft powder cloud
- atomisation selected to suit the work piece

Flex-Nozzle – the variable flat jet nozzle system



Nozzle F1

- soft cloud with wide flat jet for flat parts



Nozzle F2

- dense cloud with narrow flat jet for partial or fast coating



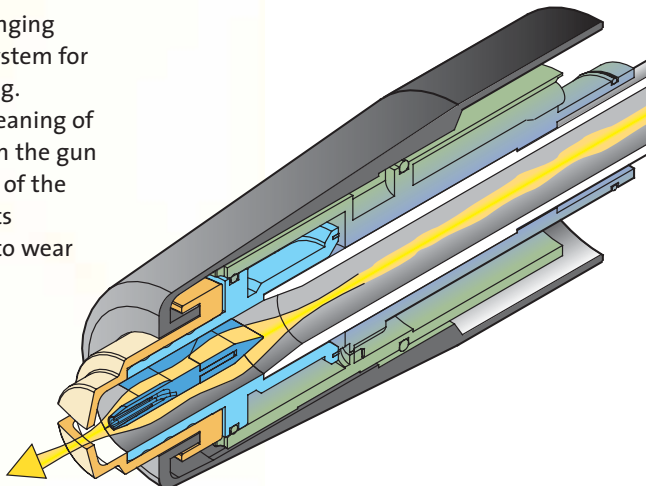
Nozzle F3

- fast cloud with targeted flat jet for reduced edge build up

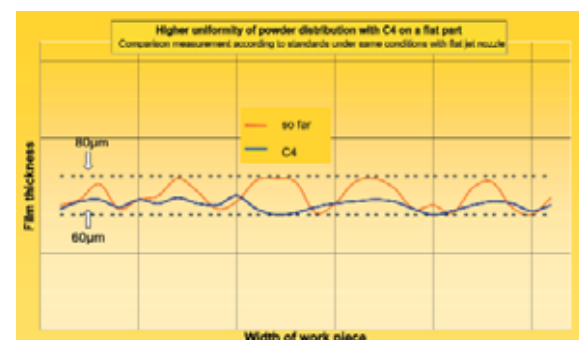
The Powerlock system, fast and effective!

Save time when changing powders. The new system for fast effective cleaning.

- sure, automatic cleaning of the powder duct in the gun
- stable positioning of the nozzle components
- easy accessibility to wear parts



Uniform surface



- homogeneous powder cloud
- efficient application of powder

Best equipped for all coating tasks

Safety power

The new safety technology from Wagner for the avoidance of high voltage breakthroughs and blow backs into the powder duct.

- increased electrical safety
- PTB certificate
- certified for Zone 21 internal coating

Physikalisch-Technische Bundesanstalt
Tüftel- und Prüfzentrale für Explosionsschutz



Certification Body for Explosion Protection

The highest quality with metallic, special effects and UDS powder!

Distinct optimisation of powder charging and powder flow

Increased application efficiency

New high voltage generation for optimal charging

Uniform film thickness distribution

Optimised surface application due to homogeneous, soft powder cloud

The new C4 HiCoat manual guns



PEM-C4

Super-light and handy – the electrostatic manual gun



PEM-C4 R

Electrostatic manual gun with remote control



PEM-CG4

Powder cup gun for very small quantities

The new C4 HiCoat automatic guns



PEA-C4

Automatic gun for universal use



PEA-C4 XL

Automatic gun – particularly suitable for plastic booths and fast colour changes



PEA-C4 Twin

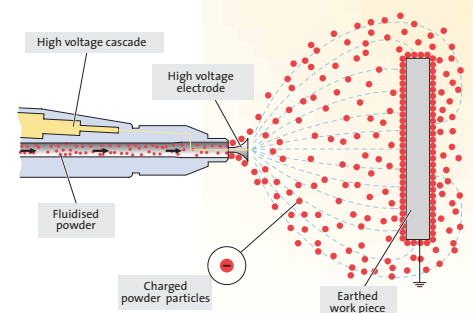
Twin automatic gun. High efficiency with high throughput. Especially suitable for robot applications



PEA-C4 A

Electronic angle gun for special coating tasks

Corona powder coating



The integral high voltage cascade, with a power rating of up to 100 kV, achieves an extremely high application efficiency and excellent charging of the powder. All electronic components are integrated in the robust plastic body of the gun. This means low servicing costs and a long life.

Corona gun accessories



Round jet nozzles R20, R28, R38
for large areas and uniform film thickness distribution



Nozzle extension 300/150 mm
best suited for coating deep work pieces



Flat jet nozzles F1, F2, F3
for various areas of application

Corona-Star to combat the "orange peel effect"
The orange peel effect can occur if awkward shapes are coated with high

film thickness or if the coating powder used has a tendency to form orange peel easily.

Conversion made easy
Our new accessories fit on all earlier models C2 and C3 – conversion is no problem with the retrofit kits!

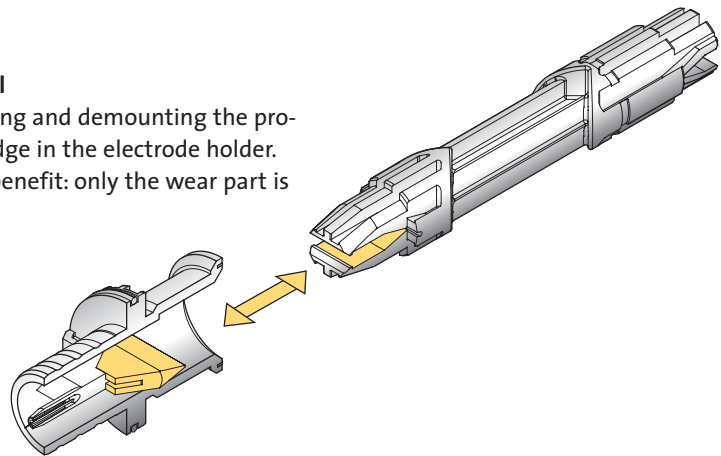


Technical application benefits of the Corona-Star:

- considerable reduction in the "picture frame effect"
- better operation with high film thickness
- better penetration power on objects with Faraday cages



Wedge tool
For mounting and demounting the protective wedge in the electrode holder. The main benefit: only the wear part is changed.



No compromises. Using original spare parts will guarantee your quality standards. All spare parts are labelled with the Wagner logo.



J. Wagner GmbH
Otto-Lilienthal-Str. 18
D-88677 Markdorf
Tel. +49 (0) 7544 505-0
Fax +49 (0) 7544 505-200

J. Wagner AG
Industriestraße 22
CH-9450 Altstätten/SG
Tel. +41 (0) 71 7572211
Fax +41 (0) 71 7572222

www.wagner-systems.com